



AUROTM

SINCE 1948

AN ISO 9001: 2000 COMPANY

THE NAME - CONFIDENCE IN SECURITY

> FIRE RESISTING FILING CABINETS





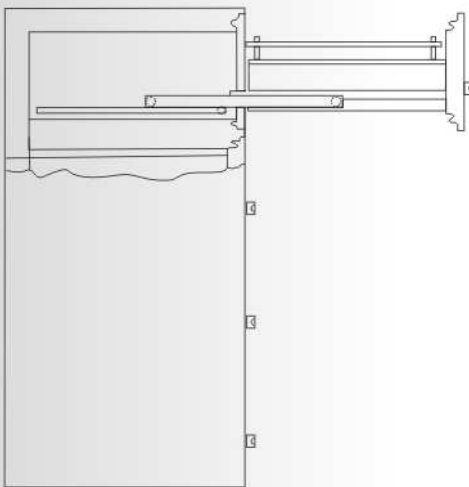
Fire will not wait for time. In seconds Fire can spoil your whole business. To prevent such occasions **AURO** offer more security and safety for your valuable document.

CONSTRUCTION : **AURO**'s Fire Resisting Filing Cabinet is manufactured with prime quality CRCA sheet manufactured by ISO certified organizations. The entire body of **AURO** Fire Resisting Filing Cabinet is designed for greater strength and rigidity. The sheet metal thickness has been maintained to minimize the conduction of heat. The cabinet has separate inner and outer shells with required reinforcement in vital place to form a rigid construction of body. **AURO**'s Fire resisting compound can withstand temperature exceeding 1000°C. **AURO**'s special Fire Resisting Material is stable and solid and does not deteriorate ever.

DRAWERS : Tongue and groove construction eliminates gaps between closed drawer and body to prevent flames and hot gases to interior of the drawer. **AURO** has specially designed a Double Extension Telescopic Slide channel for the smooth movement of Drawers.

LOCKING SYSTEM : Provided **AURO** sturdy 6 lever lock which centrally control all Drawers. **AURO** Offers individual Drawer locking facility and option of Combination Lock and Electronic lock with extra cost. Stainless Steel Keys are provided in duplicate.

Offer different models of 4 Dr. 3 Dr. 2 Dr and Single Dr. and different colours for elegant look



Overall Dimension of Cabinet	4Drawers	3Drawers	2Drawers	1Drawer
Height	1610	1220	830	440
Width	560	560	560	560
Depth	805	805	805	805
Weight :	450 kgs.	360 kgs.	250 kgs.	130 kgs.
Drawer Dimensions	Height	Width	Depth	
	280	388	646	

Tolerance : Dimension : $\pm 1\%$ Weight : $\pm 3\%$

Our policy is one of continuous development and improvement. We therefore reserve the right to alter any part of the dimension and specification without prior notice or obligation. All dimensions are in mm and approximate..

Dealer



AUROTM

AUROMBICA ENGINEERING CO. PVT. LTD.

C/o Fulchandbhai H. Panchal, Opp. Market Yard,
VISNAGAR - 384 315. Tele Fax. : (02765) 231207, 232138
E-mail : aurombica @ gmail.com
www.aurombica.com.